



防污悬式绝缘子

**SUSPENSION INSULATORS ANTI-POLLUTION TYPE
(with IEC coupling)**

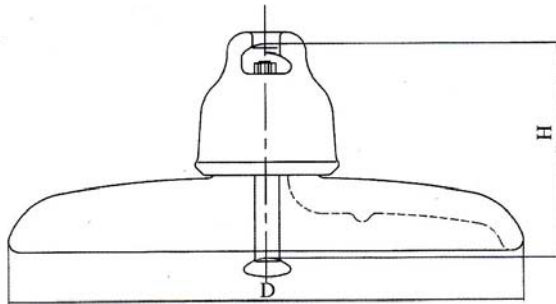


Fig.1

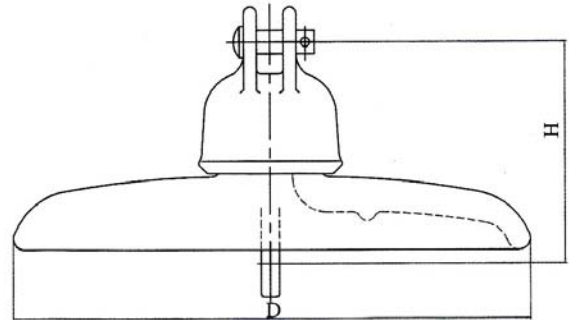


Fig.2

Type	XMP-70	XMP-80	XMP-100	XMP-120	XMP-160
Rated Electro-Mechanical Failing Load,KN	70	80	100	120	160
Tension Proof Load,KN	35	40	50	60	80
Porcelain Disc Diameter,D,mm	350	360	360	360	360
Unit Spacing,H,mm	140/146	140/146	146	146	160
Creepage Distance,mm	300	330	300	300	300
Coupling Size	16	16	16	16	20
Withstand Voltage	Lighting Impulse,KV	100	100	105	105
	Wet 1-minute Power-Frequency,KV	40	40	40	40
Power Frequency Puncture Voltage,KV	120	120	120	120	120
Radio-infulence	Test Voltage to Ground,KV	10	10	10	10
Voltage	Max.RIV at 1000kHz,UV	50	50	50	50
Net Weight,Approx.,kg	6	6.2	7.1	7.2	8.1

NOTE:

- Advantage: The following flat type disc suspension insulators have low rate of amassing dirt and good self-cleanliness
Being used on the top of the insulator string and in some spots along the insulators string, such type insulators can avoid flashover occurred by snow-melting icicle and guano, to make special protective action.
- Standard: Specification: IEC Pub.383, AS 2947, BS137