



普通型悬式绝缘子 (BS)

SUSPENSION INSULATORS  
(BS BALL&SOCKET TYPE)

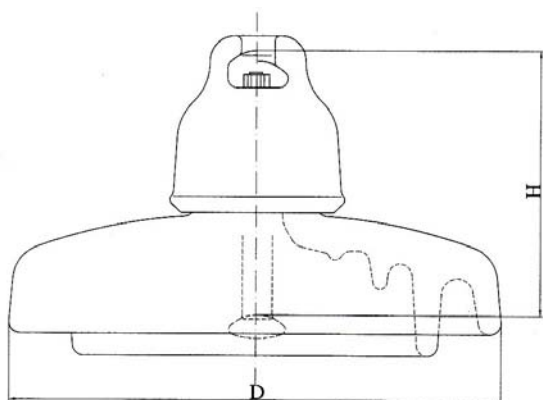


Fig.1

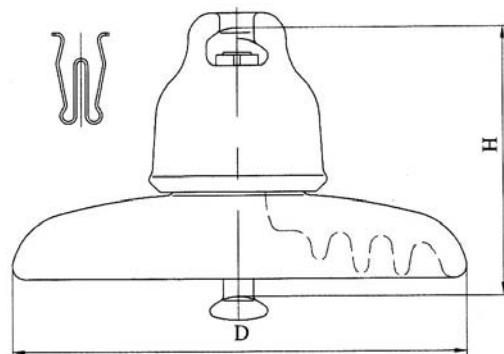


Fig.2

Type	DK10071	DK10072
Fig.No.	1	2
Rated Electro-Mechanical Failing Load,Kn	80	125
Porcelain Disc Diameter,D,mm	280	280
Unit Spacing,H,mm	140/146	140/146
Creepage Distance,mm	405	355
Protected Creepage Distance(Ref.Only),mm	240	230
Power Frequency	Wet,KV	53
	Dry,KV	100
Flashover Voltage	Pos,KV	140
	Neg,KV	140
Impulse Flashover Voltage	Pos,KV	140
	Neg,KV	118
Impulse Withstand Voltage,KV	125	105
Power Frequency Puncture Voltage,KV	130	120
Electro Static Capacity(PF)	38	40
Standard Coupling to BS 3288.2	16mmB	16mmB

**NOTE:**

- 1. Standard:**comply with the BS testing Standard
- 2. Colour:**the glaze colors of the insulators are brown or light gray.
- 3.Standard Testing:** Specification: BS137