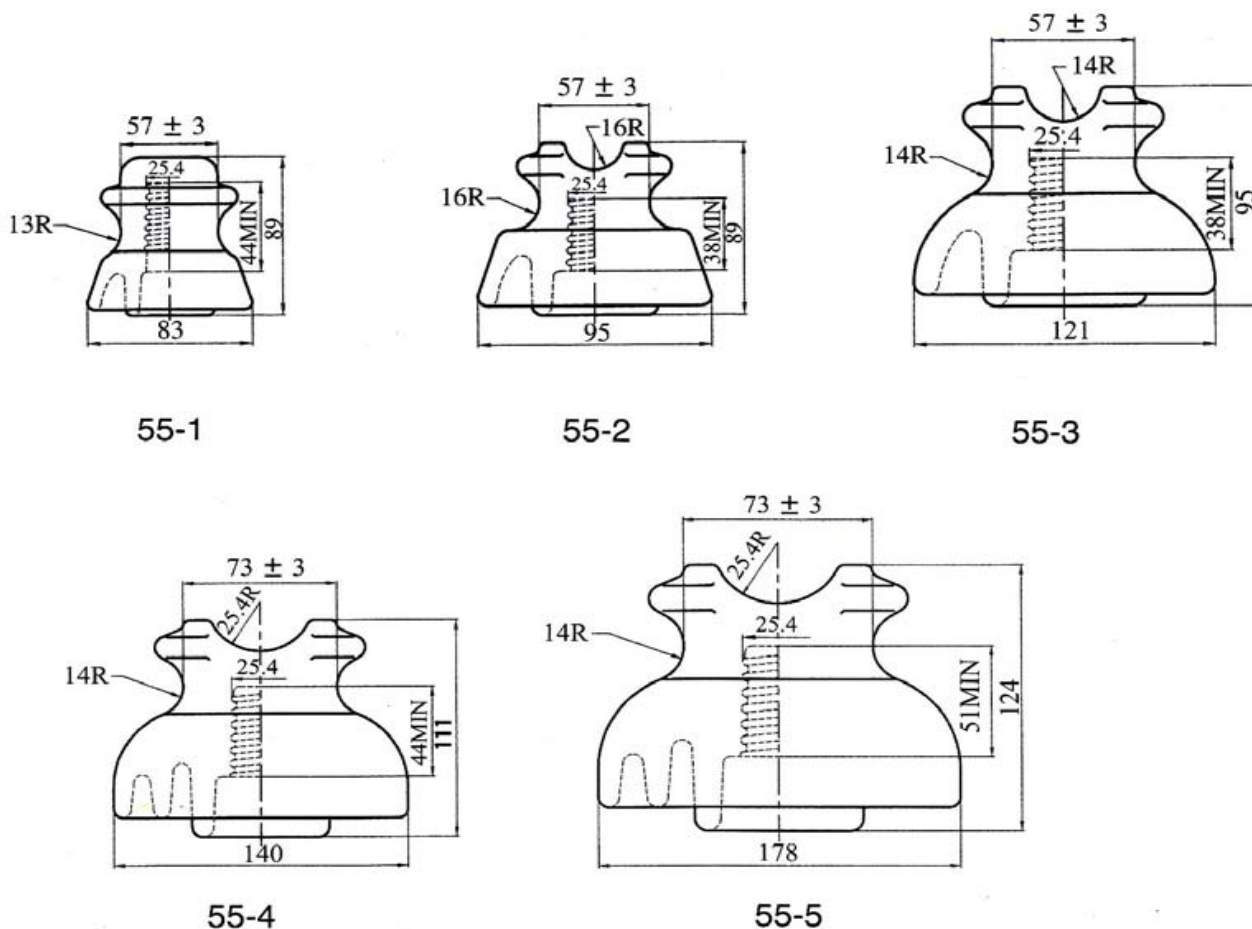


美标 针式绝缘子  
PIN INSULATORS



ANSI Class(Radio Free)		55-1	55-2	55-3	55-4	55-5
Creepage Distance,mm		102	127	178	229	305
Dry Arcing Distance,mm		57	86	114	127	159
Min.Pin Length,mm		102	102	127	127	152
Cantilever Strength,kN		13	11	11	13	13
Power Frequency Flashover Voltage	Dry,kV	35	45	55	65	80
	Wet,kV	20	25	30	35	45
Critical Impulse Flashover Voltage	Pos.,kV	50	70	90	105	130
	Neg.,kV	70	85	110	130	150
Power Frequency Puncture Voltage,kV		50	70	90	95	115
Radio Influence Voltage Data	Test Voltage to Ground,kV	5	5	10	10	15
	Max.RIV at 1000kHz,uV	50	50	50	50	100
Net Weight,Approx.,kg		0.5	0.65	1	1.65	2.75

**NOTE:**

- Standard:**comply with the ANSI Standard ANSI C29.5
- Colour:**the glaze colors of the insulators are brown or light gray.